













LÜSTER MANUFACTURE PRICE LIST






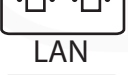

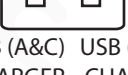
THE MONO SERIES

	240 RON
	280 RON
	230 RON
	250 RON
	
	300 RON









SPECIAL ITEMS

	800 RON
DIMMER (rotary)	
	570 RON
DIMMER (toggle switch)	
	750 RON
	800 RON
	850 RON
	900 RON

THE DOUBLE SERIES

	385 RON
	340 RON
	400 RON
	
	440 RON
	
	500 RON
	

THE COMBINED SERIES

	430 RON
	470 RON
	450 RON
	
	500 RON
	
	500 RON
	

The standard SPDT (on-on) switch can be replaced upon request with:

SPDT (on-on) momentary switch	50 RON
DPDT (on-on) crossover switch	60 RON
DPDT (on-off-on) crossover momentary switch	60 RON

We can also provide our switches with brass coating. 60 RON